

#### Features

- Low-threshold design for easy entry and exit.
- Recessed left drain.
- Single threshold for three-wall installation.
- Requires K-9330 Groove aluminum drain cover or K-9334 Groove teak drain cover (sold separately).

#### Material

- Acrylic.

#### Required Products/Accessories

K-9330 Drain Cover

or

K-9334 Drain Cover

#### Recommended Products/Accessories

K-9132 Shower Drain

K-23726 Drain treatment

K-23732 Tub & shower cleaner



#### Codes/Standards

CSA B45.5/IAPMO Z124

ASTM E162

ASTM E662



#### KOHLER® Plastic Baths and Receptors Lifetime Limited Warranty

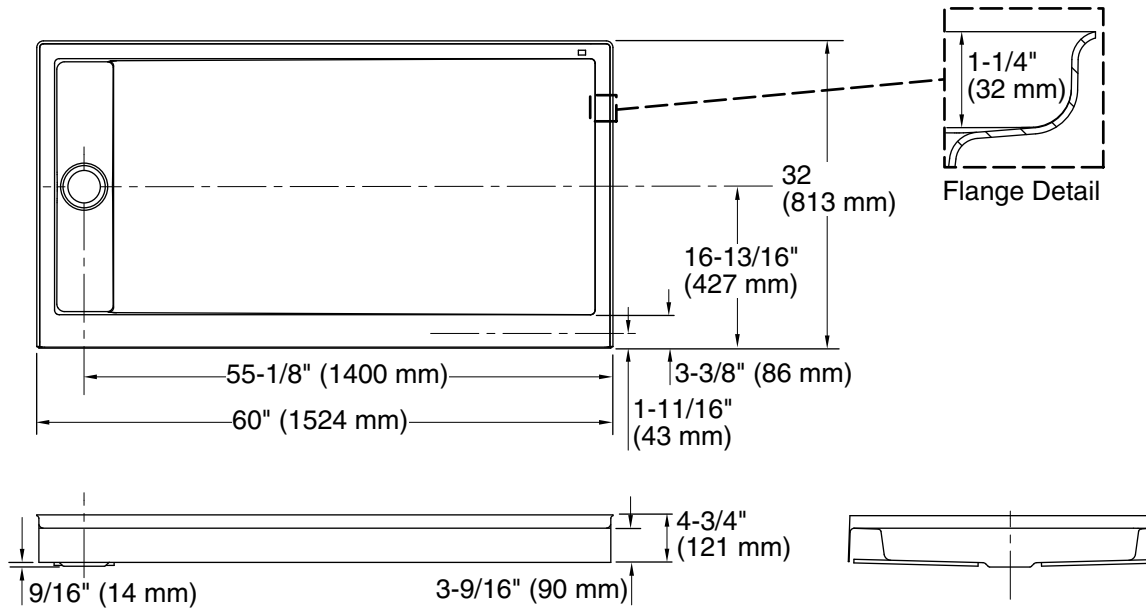
See website for detailed warranty information.

#### Available Colors/Finishes

*Color tiles intended for reference only.*

Color	Code	Description
-------	------	-------------

	0	White
	96	Biscuit



#### Technical Information

All product dimensions are nominal.

Installation: Three-wall alcove  
 Drain location: Left  
 Weight: 65 lbs (29.5 kg)  
 Minimum floor load: 20 lbs/ft<sup>2</sup> (97.6 kg/m<sup>2</sup>)

#### Notes

Measure your actual product for rough-in details.  
 Install this product according to the installation instructions.  
 Measure your actual product for roughing-in details.  
 Shimming may be required to level the fixture.  
 Shimming may be required between the stud frame and the fixture.  
 The stud opening tolerance is +1/4" (6 mm), -0" (0 mm).